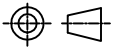


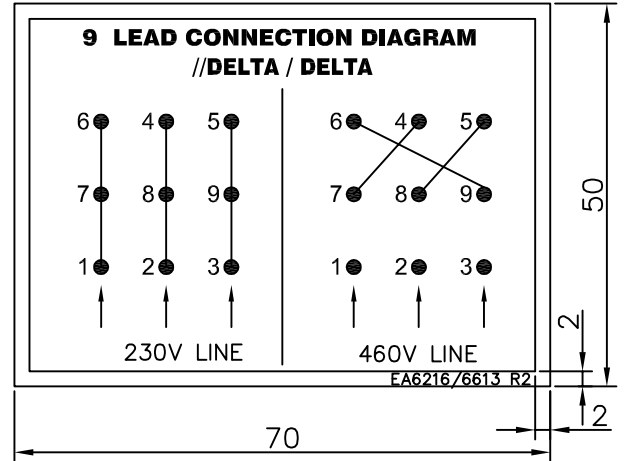
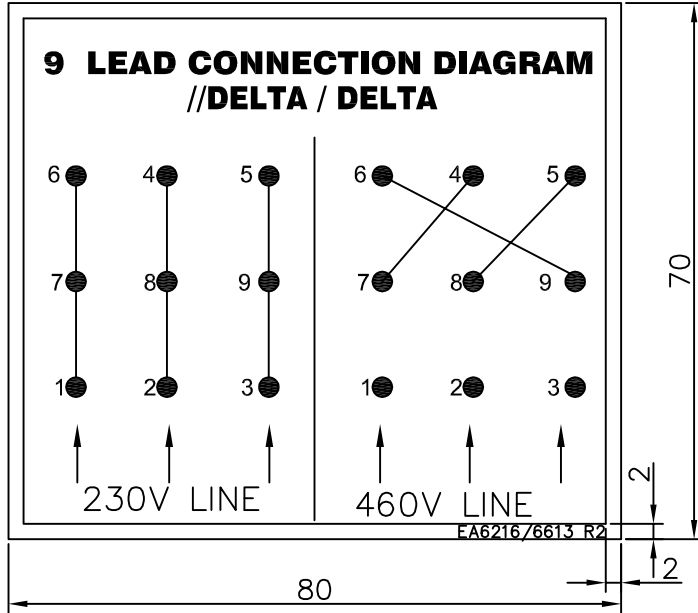
MATL. SPECN.

SAP1 WATERPROOF PAPER  
THK-100 GSM.

DO NOT SCALE  
ASK,IF IN DOUBT  
THIRD ANGLE PROJECTION



THIS DRAWING & DESIGN IS THE PROPERTY OF  
CROMPTON GREAVES LTD  
AND MUST NOT BE COPIED OR LENT WITHOUT  
THEIR PERMISSION IN WRITING



NOTES :

1. LETTER HEIGHT 2.5, STYLE SIMPLEX – WHEREVER NOT SPECIFIED.
- 2.LINE THICKNESS MUST BE AT LEAST 0.3mm
- 3.ALL THE LINES AND LETTERS MUST BE WITH BLACK COLOUR ON WHITE BACKGROUND
- 4.USE WATERPROOF OR POLYESTER PAPER.
- 5.DRAWING NUMBER TO BE MENTIONED ON RIGHT HAND SIDE BOTTOM OF STICKER.
- 6.FIG. 2 FOR UNIT 2 ONLY.

	NAME	DATE	RM CODE NUMBER
DRN	GDB	2.1.2012	3 1 0 1 9 8 0 7 0
CHD	YSW	2.1.2012	ALL DIMENSIONS IN MILLIMETRES UNLESS OTHERWISE SPECIFIED
APPD	SSN	2.1.2012	
SCALE NTS			

USED ON :DUAL VOLTAGE MOTORS,VOLTAGE RATIO 1:2  
**TITLE 230/460V DELTA CONN. CONNECTION DIAGRAM 9 LEADS**  
 SUPERSEDES: –  
 SUPERSEDED BY: –  
 PATT.No. –



Crompton Greaves Ltd.  
LT MOTORS DIVISION  
AHMEDNAGAR

AHMEDNAGAR

DRG.No.

**EA6216/6613R2**

REV. 4  
DATE

REV. 3  
DATE

GDB  
AMR

REV. 2  
DATE-3.6.13

GDB  
ALH

REV. 1  
DATE-10.4.12

FIG. 2 ADDED.

DESCRIPTION CHANGED.