

THIS DRAWING & DESIGN IS THE PROPERTY OF CROMPTON GREAVES LTD AND MUST NOT BE COPIED OR LENT WITHOUT THEIR PERMISSION IN WRITING

MATL. SPECN.

DO NOT SCALE  
ASK, IF IN DOUBT  
THIRD ANGLE PROJECTION

FIG. 1

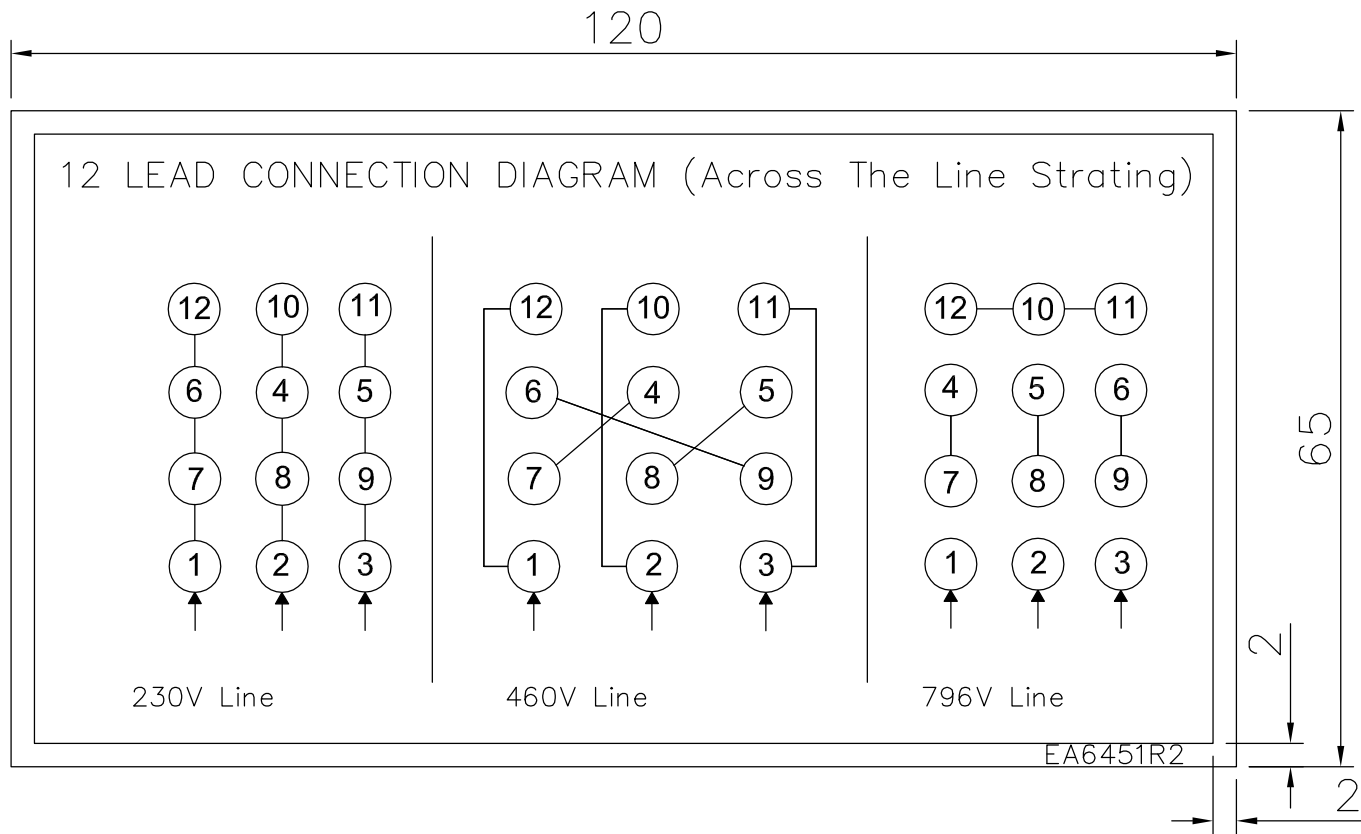
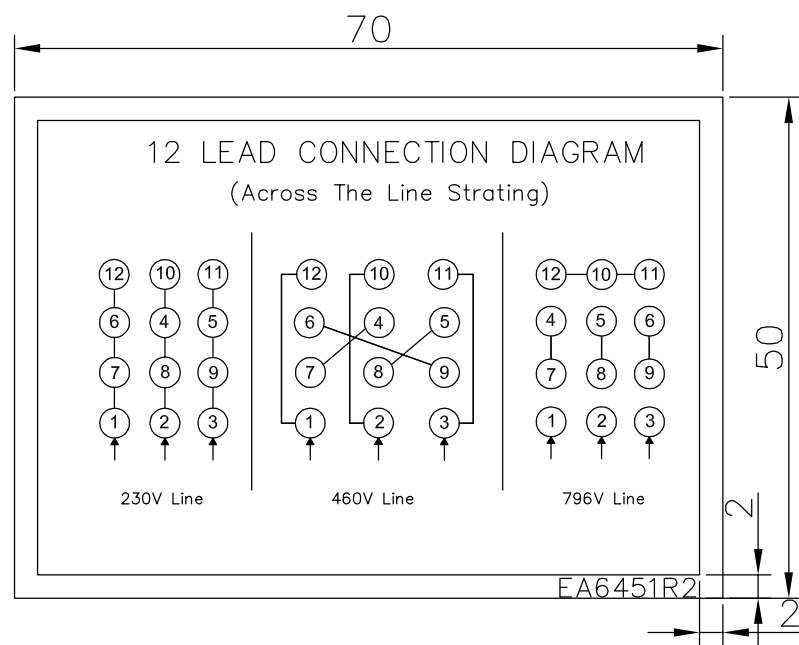


FIG. 2



NOTES :

1. LETTER HEIGHT 2.5, STYLE SIMPLEX – WHEREVER NOT SPECIFIED.
2. LINE THICKNESS MUST BE AT LEAST 0.3mm
3. ALL THE LINES AND LETTERS MUST BE WITH BLACK COLOUR ON WHITE BACKGROUND
4. USE WATERPROOF OR POLYESTER PAPER.
5. DRAWING NUMBER TO BE MENTIONED ON RIGHT HAND SIDE BOTTOM OF STICKER.
5. FIG. 2 FOR UNIT 2 ONLY.


REV 4  
DATE

REV: 3  
DATE

GDB  
AMR

REV 2  
DATE: 3.6.13

FIG. 2 ADDED.

	NAME	DATE	RM CODE NUMBER		
TRCD	GDB	2.1.2012	3 6 1 1 5 9 0 1 2		
CHD	YSW	2.1.2012	ALL DIMENSIONS IN MILLIMETRES UNLESS OTHERWISE SPECIFIED		
APPD	SSN	2.1.2012			
SCALE	NTS				
USED ON : ALL FRAMES (NEMA-TRIPPLE VOLTAGE)				SUPERSEDES: -	
TITLE 12 LEADS CONNECTION DIAGRAM				SUPERSEDED BY: -	
 <b>Crompton Greaves Ltd.</b> LT MOTORS DIVISION AHMEDNAGAR				PATT.No.	
				DRG.No. <b>EA 6451 R2</b>	
AHMEDNAGAR					